


# IDEM IDIS Interlock Safety Switches

## IDIS Series Housing

- Tongue (key) (IDIS-1) or lever hinge (IDIS-2) interlock operated
  - 90 degree adjustable head
  - One 1/2 in. NPT female conduit opening
  - 22 mm mounting profile
  - Standard and compact housings
  - Force guided NC contacts 
  - Purchase actuating key separately (See accessories)
- See electrical specifications later in this section.**

IDEM IDIS-1 Tongue (Key) Interlock Safety Switches							
Part Number	Price	Body Material	Head Material	Weight (lbs)	Actuator Travel / Force for Positive Opening	Contact Configuration	Dimensions
IDIS-190051	\$27.00	Plastic	Plastic	0.35	6mm/12N	1 N.O., 2 N.C. Slow action	Figure 1
IDIS-190055	\$27.00					3 N.C. Slow action	Figure 1
IDIS-190059	\$27.00					1 N.O., 1 N.C. Snap action	Figure 1

**IDIS-190051**



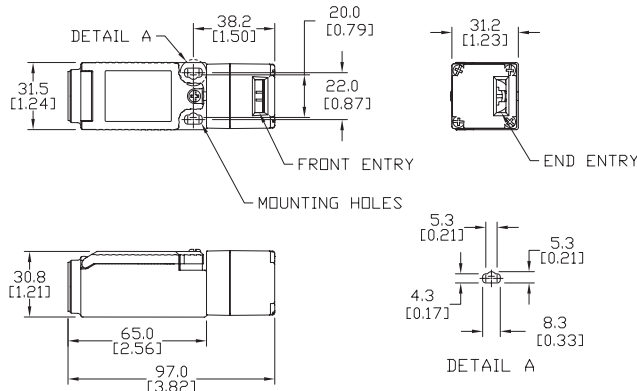
IDEM IDIS-2 Hinge Interlock Safety Switches							
Part Number	Price	Body Material	Head Material	Weight (lbs)	Actuator Rotation / Force for Positive Opening	Contact Configuration	Dimensions
IDIS-192002	\$26.00	Plastic	Plastic	0.35	7 degrees / 0.5N	1 N.O., 2 N.C. Slow action	Figure 2
IDIS-192005	\$26.00					3 N.C. Slow action	Figure 2
IDIS-192008	\$26.00					1 N.O., 1 N.C. Snap action	Figure 2

**IDIS-192002**

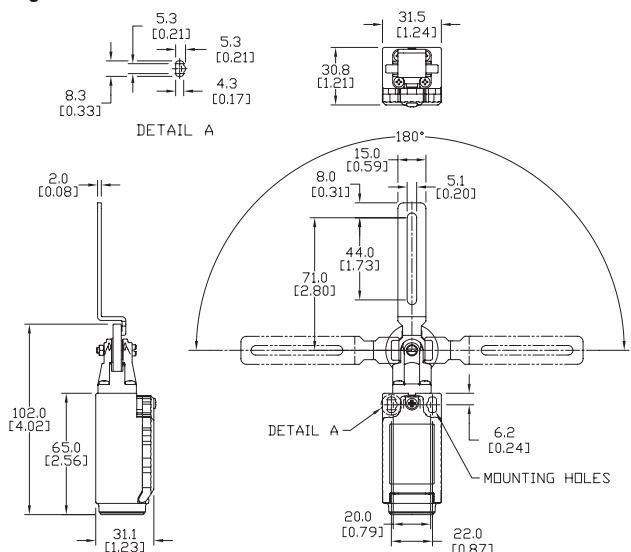


## Dimensions mm[in]

**Figure 1**




**Figure 2**



# IDEM KM/KM-SS Interlock Safety Switches

## KM/KM-SS Series Housing

- Tongue (key) interlock operated
- 90 degree adjustable head
- 8 actuator entry positions
- One 1/2 in. NPT female conduit opening
- Force guided NC contacts 
- 30 mm mounting profile
- Aluminum and 316 stainless steel options available
- Includes one tamper-proof T20 Torx bit
- Purchase actuating key separately. (See accessories)

See electrical specifications later in this section.



IDEM KM /KM-SS Interlock Safety Switches							
Part Number	Price	Body Material	Head Material	Weight (lbs)	Actuator Travel / Force for Positive Opening	Contact Configuration	Dimensions
<b>KM-203002</b>	\$64.00	Die-cast aluminum	Die-cast aluminum	0.92	6mm/12N	1 N.O., 2 N.C. Slow action	Figure 1
<b>KM-203008</b>	\$74.00					1 N.O., 3 N.C. Slow action	Figure 1
<b>KM-203011</b>	\$74.00					2 N.O., 2 N.C. Slow action	Figure 1
<b>KM-203002-SS</b>	\$84.00					316 stainless steel	1.1
<b>KM-203008-SS</b>	\$96.00	1 N.O., 3 N.C. Slow action	Figure 2				
<b>KM-203011-SS</b>	\$98.00	2 N.O., 2 N.C. Slow action	Figure 2				
<b>KM-SS-204002</b>	\$125.00	316 stainless steel	316 stainless steel	1.4	6mm/12N	1 N.O., 2 N.C. Slow action	Figure 2
<b>KM-SS-204008</b>	\$134.00					1 N.O., 3 N.C. Slow action	Figure 2
<b>KM-SS-204011</b>	\$132.00					2 N.O., 2 N.C. Slow action	Figure 2

## Dimensions mm[in]

Figure 1

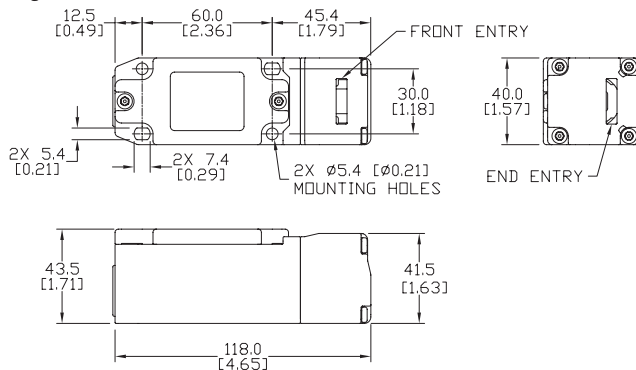
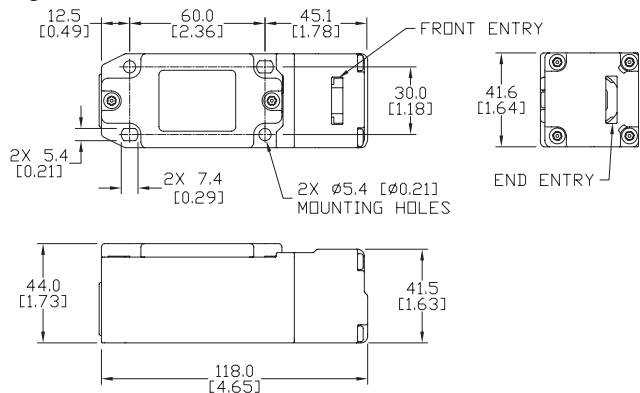


Figure 2



# IDEM KP/K-SS and K-15 Interlock Safety Switches

## KP/K-SS and K-15 Series Housing

- Tongue (key) interlock operated
  - 180 degree adjustable head
  - 4 actuator entry positions
  - Three 1/2 in. NPT female conduit openings
  - Force guided NC contacts →
  - 40 mm mounting profile
  - Purchase actuating key separately. (See accessories.)
- See electrical specifications later in this section.**



IDEM KP/K-SS Interlock Safety Switches									
Part Number	Price	Body Material	Head Material	Weight (lbs)	Actuator Travel/Force for Positive Opening	Contact Configuration	Dimensions		
KP-200002	\$41.00	Plastic	Plastic	0.7	6mm/12N	1 N.O., 2 N.C. Slow action	Figure 1		
KP-200008	\$53.00					1 N.O., 3 N.C. Slow action	Figure 1		
KP-200011	\$53.00					2 N.O., 2 N.C. Slow action	Figure 1		
KP-200002-SS	\$63.00					316 stainless steel	0.85	1 N.O., 2 N.C. Slow action	Figure 2
KP-200008-SS	\$71.00							1 N.O., 3 N.C. Slow action	Figure 2
KP-200011-SS	\$71.00							2 N.O., 2 N.C. Slow action	Figure 2
K-SS-208002	\$119.00	316 stainless steel	316 stainless steel	1.63	6mm/12N	1 N.O., 2 N.C. Slow action	Figure 3		
K-SS-208008	\$129.00					1 N.O., 3 N.C. Slow action	Figure 3		
K-SS-208011	\$129.00					2 N.O., 2 N.C. Slow action	Figure 3		

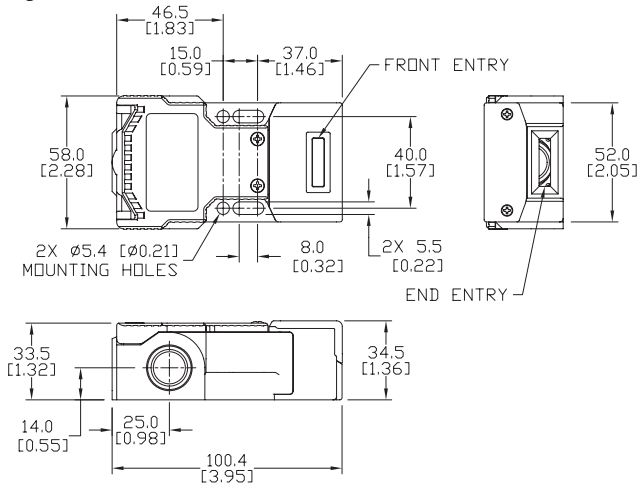


IDEM K-15 Interlock Safety Switches							
Part Number	Price	Body Material	Head Material	Weight (lbs)	Actuator Travel / Force for Positive Opening	Contact Configuration	Dimensions
K-15-207002	\$41.00	Plastic	Plastic	0.66	6mm/12N	1 N.O., 2 N.C. Slow action	Figure 4
K-15-207005	\$41.00					3 N.C. Slow action	Figure 4
K-15-207002-SS	\$60.00		316 Stainless Steel	0.8		1 N.O., 2 N.C. Slow action	Figure 5
K-15-207005-SS	\$60.00					3 N.C. Slow action	Figure 5

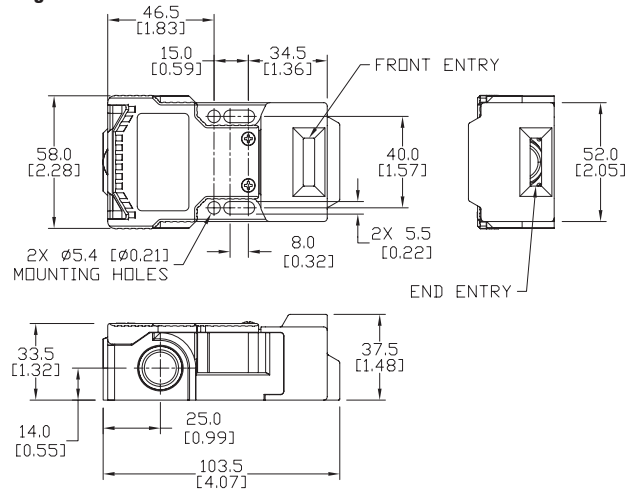
# IDEM KP/K-SS and K-15 Interlock Safety Switches

## Dimensions mm[in]

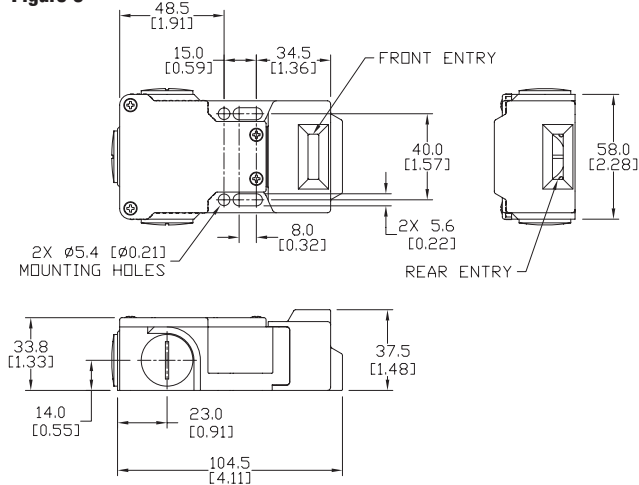
**Figure 1**



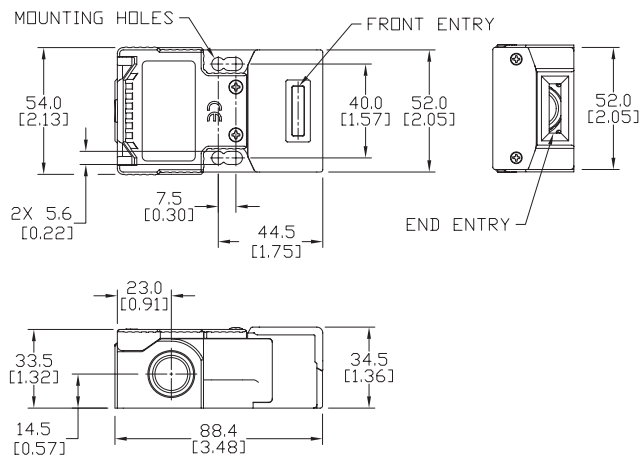
**Figure 2**



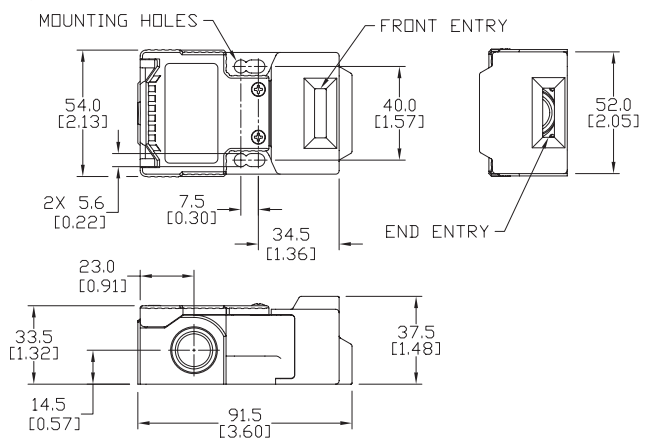
**Figure 3**



**Figure 4**



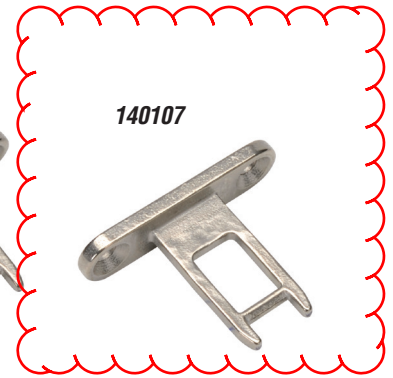
**Figure 5**



# IDEM Interlock Safety Accessories

## Actuator Keys

- 14 available keys
- All keys are 316 stainless steel
- Flexible key options available



IDEM Interlock Safety Switch Actuator Tongue (Keys)										
Part Number	Price	Description	Use with:					Weight (lbs)	Minimum Entry Radius	Dimensions
			IDIS-1	KP/K15	K-SS/KM/KM-SS	INCH	MK1			
140103	\$7.25	14.4 mm mounting hole spacing, 90° bent stainless steel key/mounting tab	✓					0.03	175mm	Figure 1
140104	\$7.25	14.4 mm mounting hole spacing, straight stainless steel key/mounting tab	✓					0.03	175mm	Figure 2
140105	\$12.50	40mm mounting hole spacing, stainless steel key with polyester flexible mounting tab	✓					0.06	100mm	Figure 3
140106	\$7.25	40mm mounting hole spacing, 90° stainless steel key/mounting tab		✓**				0.07	175mm	Figure 4
140107	\$7.25	40mm mounting hole spacing, 90° stainless steel key/mounting tab		✓*	✓			0.07	175mm	Figure 5
140108	\$7.25	20mm mounting hole spacing, straight stainless steel key with plastic stop		✓	✓			0.07	175mm	Figure 6
140109	\$12.00	40mm mounting hole spacing, stainless steel key with polyester flexible mounting tab		✓	✓			0.10	100mm	Figure 7
140110	\$25.00	40mm mounting hole spacing, stainless steel key with black-painted aluminum flexible mounting tab		✓	✓			0.16	100mm	Figure 8
140111	\$49.00	40mm mounting hole spacing, stainless steel key with mirror polished stainless steel flexible mounting tab		✓	✓			0.22	100mm	Figure 9
140130	\$27.00	IDEM lockout actuator, stainless steel, for use with IDEM tongue (key) switches		✓	✓					Figure 10
140179	\$14.50	IDEM key guide, 316 stainless steel. Mounting hardware included. For use with IDEM INCH series safety switches				✓			NA	Figure 15
140179-SS	\$14.50	IDEM key guide, 316 stainless steel. For use with IDEM MK1 series safety switches					✓			
140180	\$7.25	IDEM actuator tongue (key), 8mm mounting hole spacing, 316 stainless steel, 90 degree mounting tab. For use with IDEM MK1 and INCH series safety switches				✓	✓	0.10	150mm	Figure 16
140181	\$7.25	IDEM actuator tongue (key), 15mm mounting hole spacing, 316 stainless steel, straight mounting tab, shock absorbing. For use with IDEM MK1 and INCH series safety switches				✓	✓		150mm	Figure 17
140182	\$12.50	IDEM actuator tongue (key), 40mm mounting hole spacing, 316 stainless steel, flexible mounting tab. For use with IDEM MK1 and INCH series safety switches				✓	✓		100mm	Figure 18

# IDEM Interlock Safety Accessories

## Accessories

- Gate bolt kits provide a sliding latch and lockout for swinging or sliding doors
- Comes with handle and flat actuator
- Sliding action prevents accidental closure
- Requires four M5 x 45mm mounting hardware (not included)
- Gate bolt kit materials: ABS plastic handle; mild steel yellow plate; aluminum black base; mild steel plated bar (inserts into guide); stainless steel guide and key

**GBA-1-210003**



**GBA-1-210004**



**GB - 210005**



**GB - 210006**

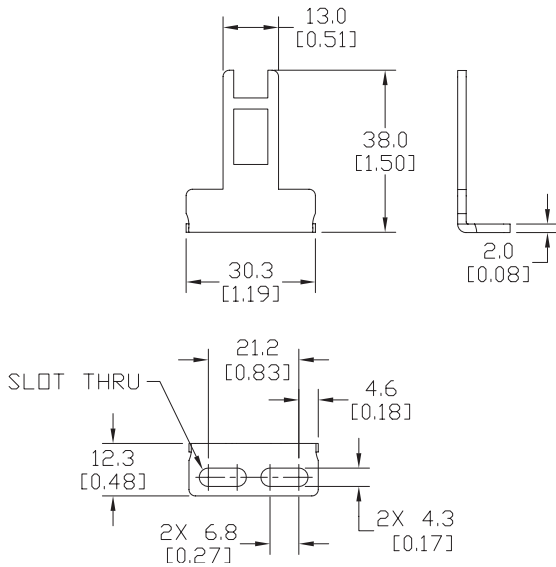


IDEM Interlock Safety Switch Accessories						
Part Number	Price	Description	Use with:		Weight (lbs)	Dimensions
			KM	GBA-1		
<b>GBA-1-210003</b>	\$95.00	IDEM gate bolt, left hand version, for use with KM series safety switches. Includes actuating tongue (key).	✓		3.7	Figure 11
<b>GBA-1-210004</b>	\$93.00	IDEM gate bolt, right hand version, for use with KM series safety switches. Includes actuating tongue (key).	✓		3.7	Figure 12
<b>GB-210005</b>	\$12.50	IDEM rear escape handle, for use with GBA-1 and GBL-1 series gate bolts		✓	0.1	Figure 13
<b>GB-210006</b>	\$12.50	IDEM spring loaded catch, for use with GBA-1 and GBL-1 series gate bolts		✓	0.08	Figure 14

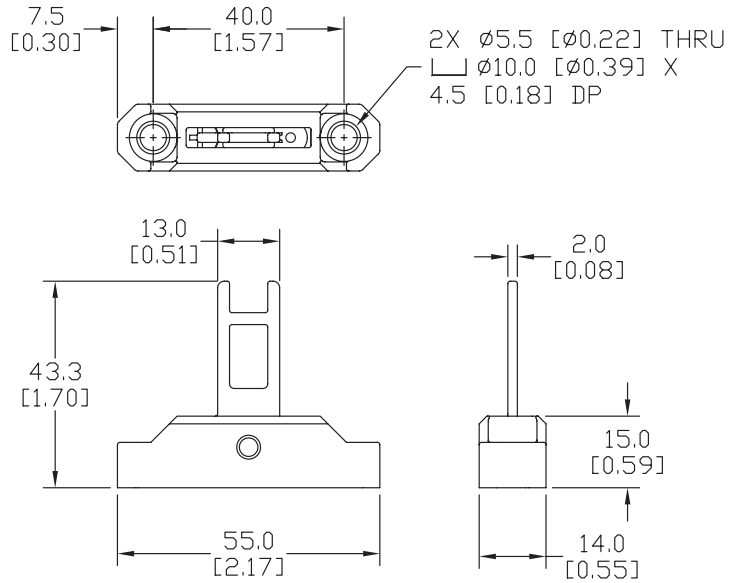
# IDEM Interlock Safety Accessories

## Dimensions mm[in]

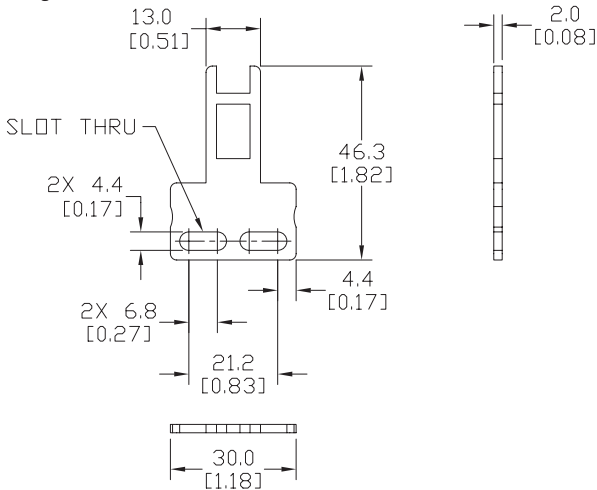
**Figure 1**



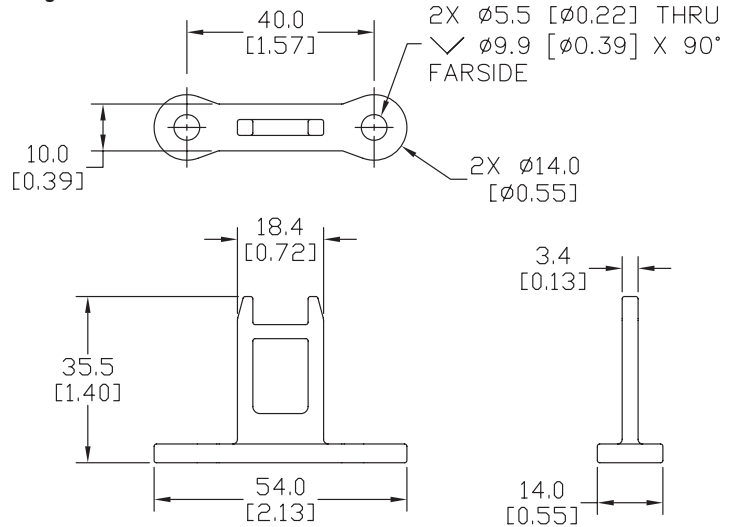
**Figure 3**



**Figure 2**



**Figure 4**



# IDEM Interlock Safety Accessories

## Dimensions mm[in]

Figure 5

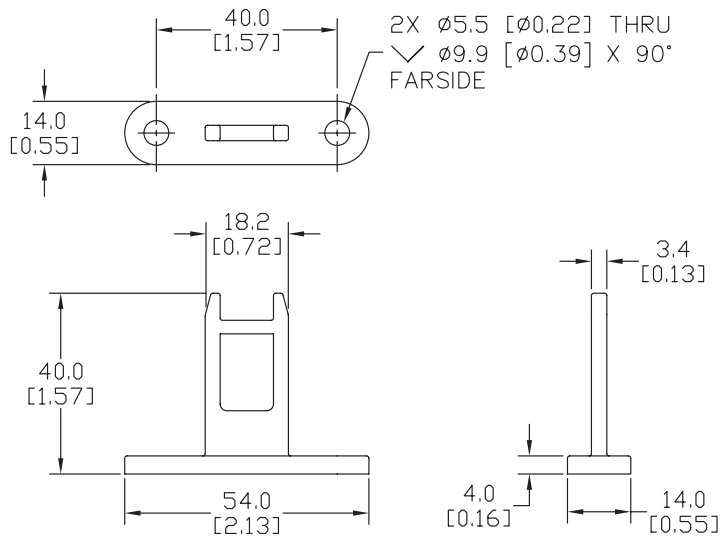
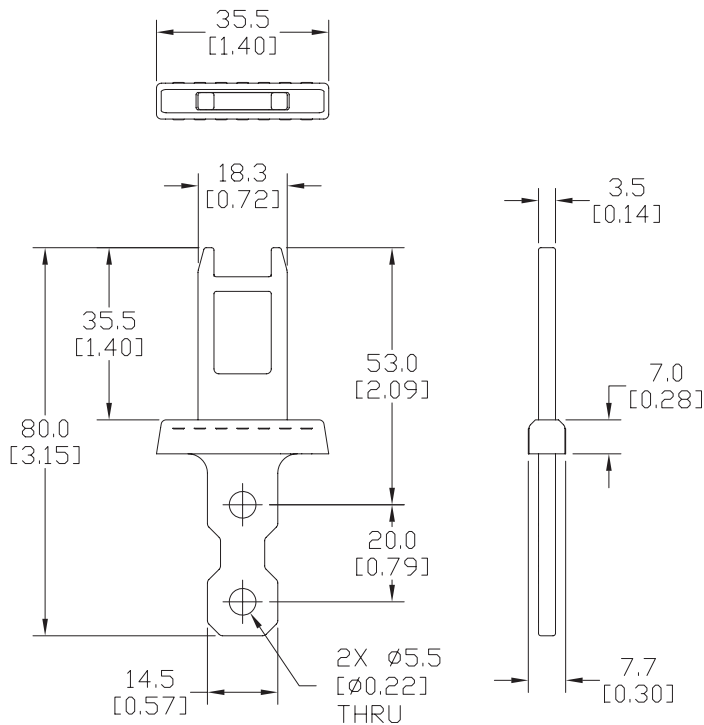


Figure 6





# IDEM Interlock Safety Accessories

## Dimensions mm[in]

Figure 7

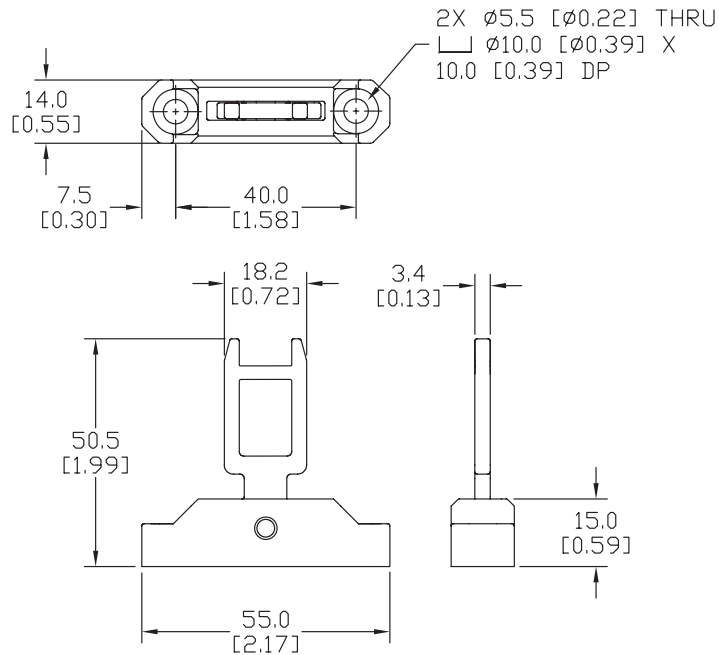
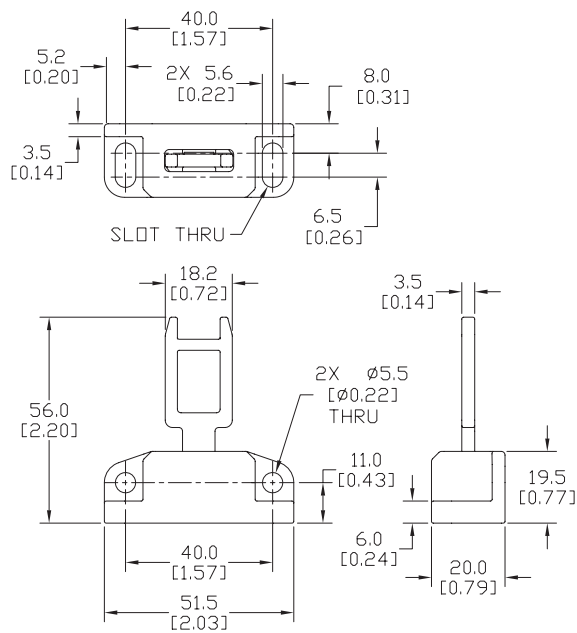


Figure 8



# IDEM Interlock Safety Accessories

## Dimensions mm[in]

Figure 9

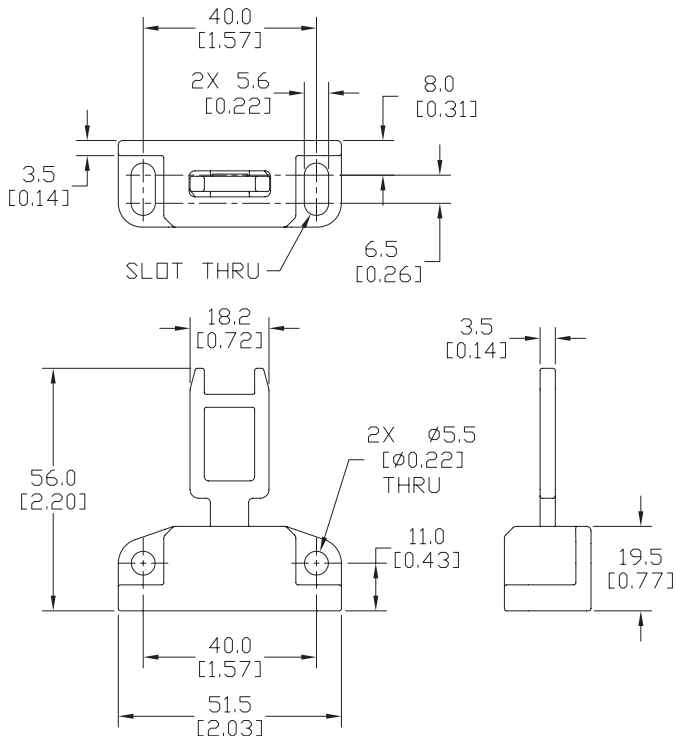
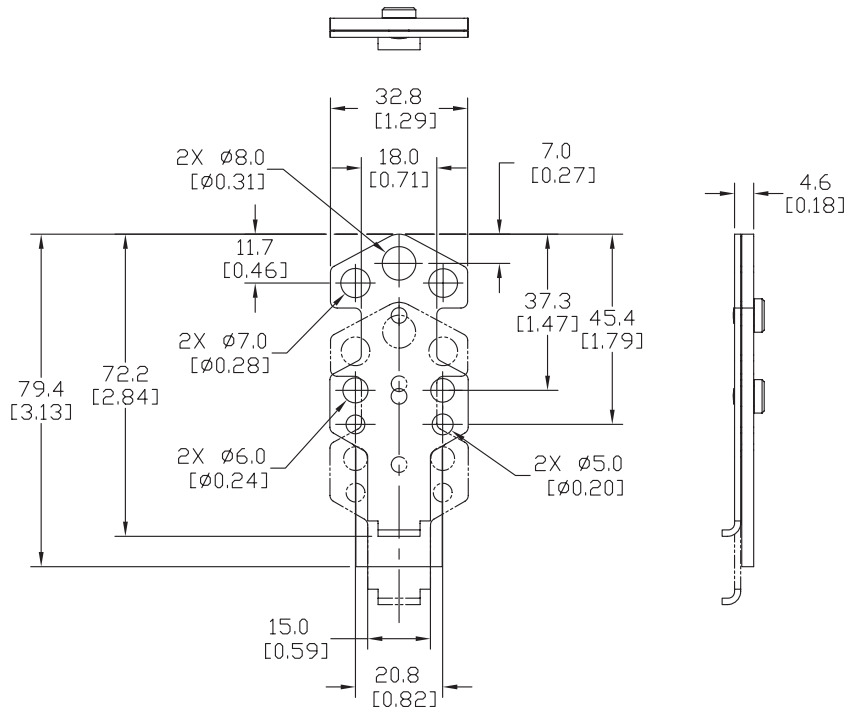


Figure 10



# IDEM Interlock Safety Accessories

## Dimensions mm[in]

Figure 11

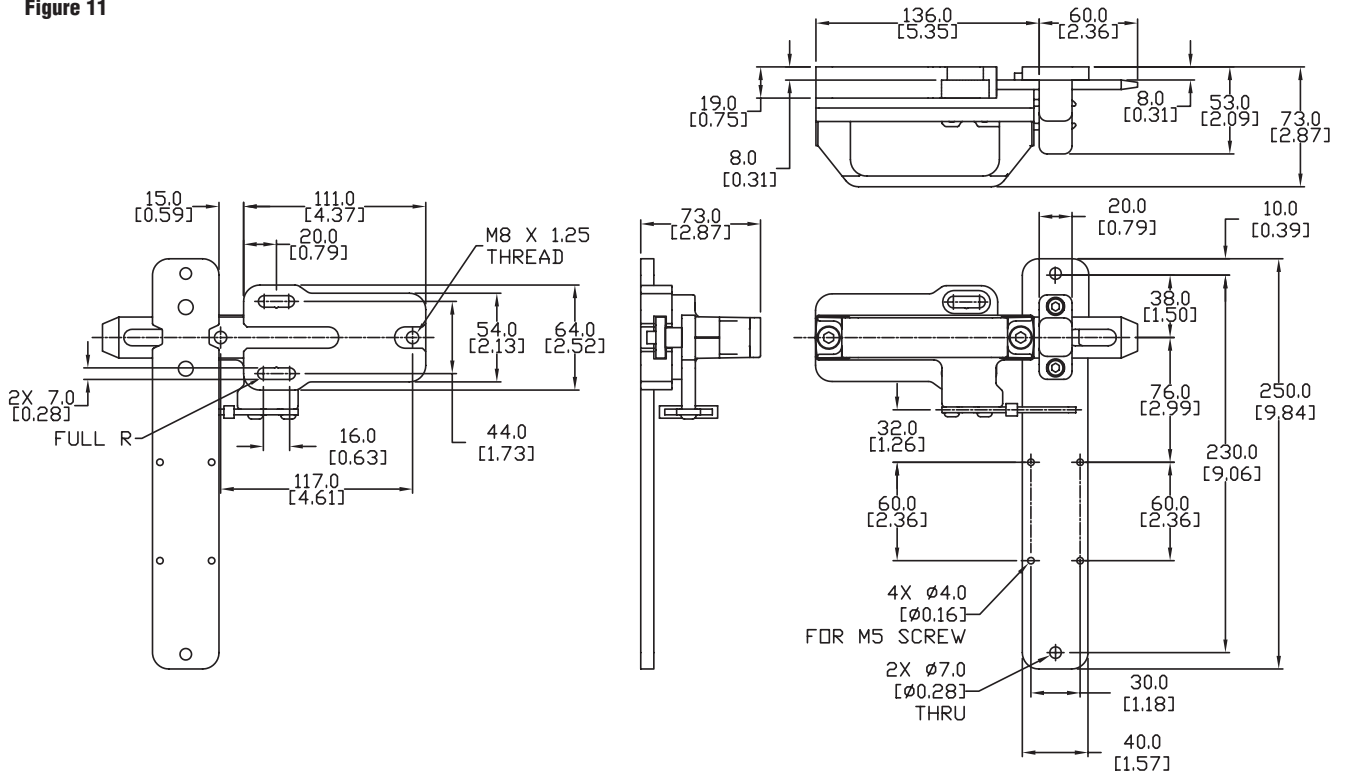
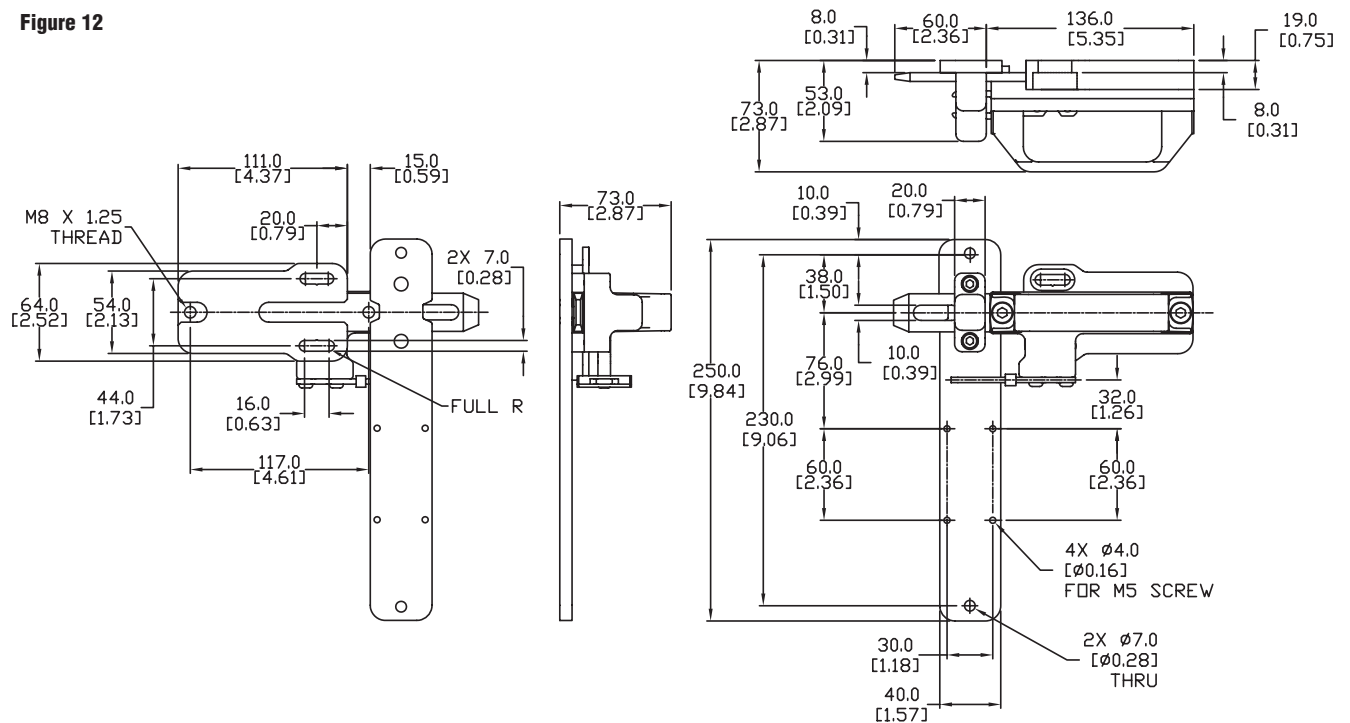


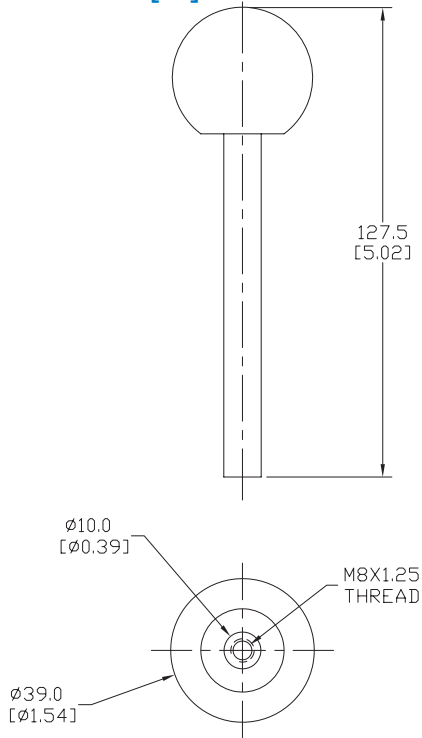
Figure 12



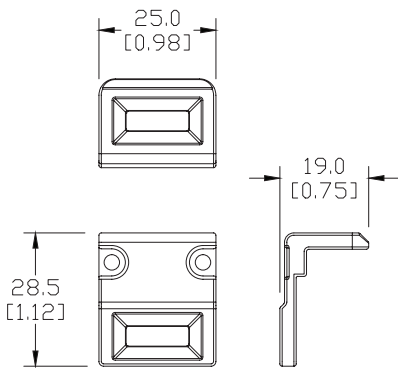
# IDEM Interlock Safety Accessories

## Dimensions mm[in]

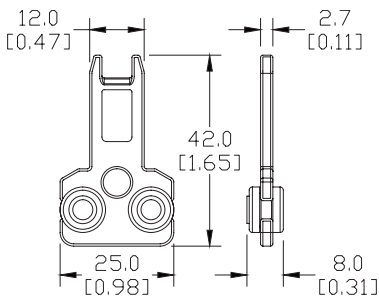
**Figure 13**



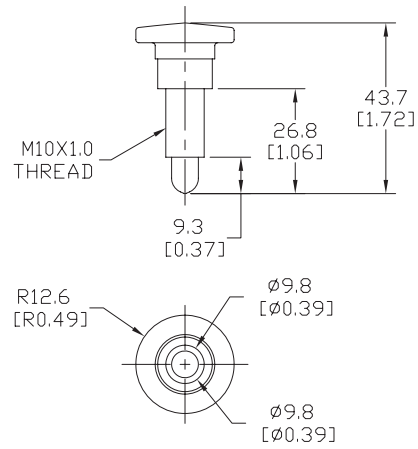
**Figure 15**



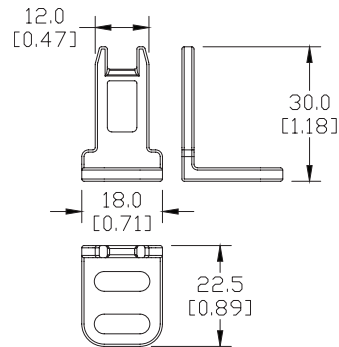
**Figure 17**



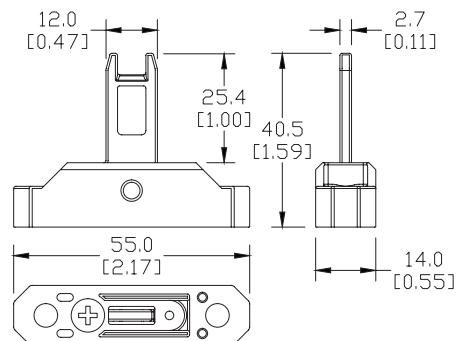
**Figure 14**



**Figure 16**



**Figure 18**



See our website, [www.AutomationDirect.com](http://www.AutomationDirect.com), for complete Engineering drawings.

# IDEM GM and GLS Safety Rope Switches

## GLM and GLS Series Pull Cord Housings

- Three 1/2 in. NPT female fittings
  - Includes one tamper-proof T20 Torx bit
  - 57 mm, 63 mm, and 65 mm mounting profiles
  - Rope Pull kits sold separately and recommended for increased reliability
  - 50m, 80m, and 100m length systems
- See electrical specifications later in this section.**

IDEM GLM/GLS Interlock Safety Switches								
Part Number	Price	Construction Material	Weight (lbs)	E-Stop	LED	Maximum Rope Length	Contact Configuration	Dimensions
GLM-143002	\$118.00	57 mm Die-cast Aluminum	1.5	No	No	50m/164 ft.*	1 N.O., 2 N.C. Slow	Figure 1
GLM-143051	\$129.00		1.5	No	No		1 N.O., 3 N.C.	Figure 1
GLM-143053	\$129.00		1.5	No	No		2 N.O., 2 N.C.	Figure 1
GLM-143057	\$152.00		1.6	Yes	No		1 N.O., 3 N.C.	Figure 1
GLM-143067-AS	\$169.00		1.7	Yes	24VDC		1 N.O., 3 N.C.	Figure 2
GLM-143067-BS	\$173.00		1.7	Yes	110VAC		1 N.O., 3 N.C.	Figure 2
GLS-142002	\$129.00	63 mm Die-cast Aluminum	1.75	No	No	80m/262 ft.*	1 N.O., 2 N.C.	Figure 3
GLS-142051	\$143.00		1.75	No	No		1 N.O., 3 N.C.	Figure 3
GLS-142053	\$143.00		1.75	No	No		2 N.O., 2 N.C.	Figure 3
GLS-142063	\$163.00		1.85	Yes	No		1 N.O., 3 N.C.	Figure 3
GLS-142075-AS	\$182.00		1.9	Yes	24VDC		1 N.O., 3 N.C.	Figure 4
GLS-142075-BS	\$190.00		1.9	Yes	110VAC		1 N.O., 3 N.C.	Figure 4
GLS-SS-144002	\$271.00	65 mm Stainless Steel	4.2	No	No	100m/328 ft.*	1 N.O., 3 N.C.	Figure 5
GLS-SS-144004	\$271.00		4.2	No	No		2 N.C., 2 N.O.	Figure 5
GLS-SS-144014	\$313.00		4.3	Yes	No		1 N.O., 3 N.C.	Figure 5
GLS-SS-144020-AS	\$348.00		4.4	Yes	24VDC		1 N.O., 3 N.C.	Figure 6
GLS-SS-144020-BS	\$353.00		4.4	Yes	110VAC		1 N.O., 3 N.C.	Figure 6

\*See Recommended Rope Span Options and Fittings for number of switches recommended with specific maximum rope lengths.

GLM-143067-AS



GLS-142053



GLS-SS-144020-AS



## Cable Kits for IDEM Cable-Pull Safety Switches

- One end of cables terminated with a thimble, permanent clamp, and a threaded quick link
- 4 mm diameter cable with red plastic coating
- Kit includes everything needed for installation
- 4 mm Allen key

Cable Kits for IDEM Cable-Pull Safety Switches					
Part Number	Price	Description	Cable Length	Construction Material	Weight (lbs)
140002	\$63.00	Includes (1) cable, (5) eyebolts, (1) tensioner / gripper and (1) allen key.	10m/32 ft.	galvanized steel	0.8
140011	\$84.00			stainless steel	1.3
140004	\$84.00	Includes (1) cable, (9) eyebolts, (1) tensioner / gripper and (1) allen key.	20m/65 ft.	galvanized steel	2.2
140013	\$104.00			stainless steel	2.9
140005	\$98.00	Includes (1) cable, (12) eyebolts, (1) tensioner / gripper and (1) allen key.	30m/98 ft.	galvanized steel	2.8
140014	\$119.00			stainless steel	3.9
140006	\$117.00	Includes (1) cable, (20) eyebolts, (1) tensioner / gripper and (1) allen key.	50m/164 ft.	galvanized steel	4.5
140015	\$135.00			stainless steel	6.0
140007	\$129.00	Includes (1) cable, (30) eyebolts, (2) tensioner / grippers and (1) allen key.	80m/262 ft.	galvanized steel	7.0
140016	\$169.00			stainless steel	9.5

140002



# Safety Products



***Warning: Safety products sold by AutomationDirect are Safety components only. The purchaser/installer is solely responsible for the application of these components and ensuring all necessary steps have been taken to assure each application and use meets all performance and applicable safety requirements and/or local, national and/or international safety codes as required by the application. AutomationDirect cannot certify that our products, used solely or in conjunction with other AutomationDirect or other vendors' products, will assure safety for any application. Any person using or applying any products sold by AutomationDirect is responsible for learning the safety requirements for their individual application and applying them, and therefore assumes all risks, and accepts full and complete responsibility, for the selection and suitability of the product for their respective application. AutomationDirect does not provide design or consulting services, and cannot advise whether any specific application or use of our products would ensure compliance with the safety requirements for any application.***